

**The BMW D7 Marine Engine: 4.5 kW (6 bhp). Particularly suitable for sailing boats and open displacement boats up to approx 7.5 metres (24') and 2 tons.**

This ideal diesel engine for relatively small boats is in a class of its own. With its compact dimensions, extremely low weight (only 68 kg/150 lb) and sophisticated design with no moving parts on the outside, it is even suitable for boats which, due to a lack of space, had to be fitted with an outboard engine. The patented lubrication system allows continuous operation at an angle of heel of up to 20°.

**Special features:**

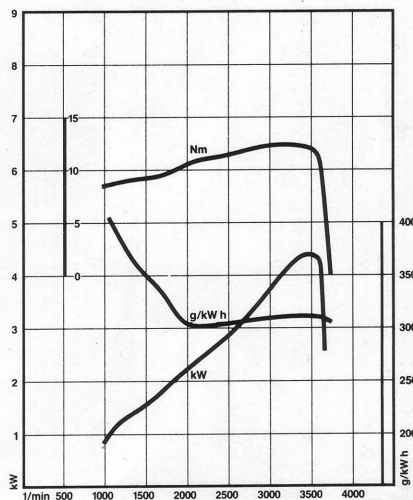
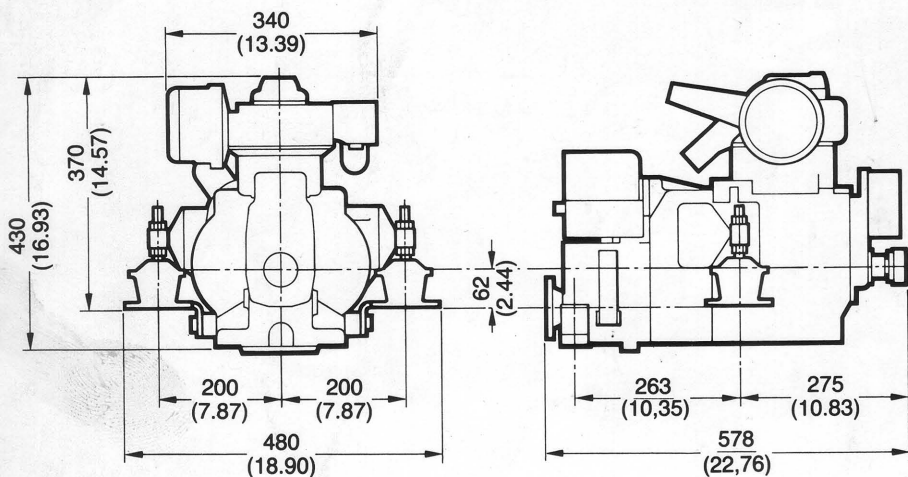
- Extremely low weight thanks to cast aluminium crankcase
- Compact dimensions – fits into virtually any boat
- Reliable operation even with a considerable angle of heel (up to 20°), depending on the angle at which the engine is installed
- No moving parts on the outside – and, therefore optimum safety against injuries
- Simple, inexpensive maintenance
- Optimum corrosion-proofing through two-component paintwork and two zinc anodes.
- Bosch fuel injection pump with mechanical control and self bleeding – optimum combustion and clean exhaust emission
- Flexible engine mounts to minimize vibrations to the boat's hull
- Alternator (integrated in flywheel) and a heavy duty starter
- Easy-to-operate manual starter with starting handle and automatic decompression: yet another safety feature fitted as standard
- Reduced-ratio reversing-type gearbox for a wide range of different applications

- Thermostat-controlled salt water cooling to provide a constant operating temperature
- Low fuel consumption: 1.5 ltr/0.33 Imp gals per operating hour at maximum output
- High-performance fuel supply filter with water separator
- Air filter with intake air silencer
- Electrical wiring complying to the strict US Coast Guard regulations, resettable fuses to provide extra safety against overload
- Engine and gearbox prepared by the factory for single-lever remote control of throttle and gear shift

**Conclusion:**

The D7 has a wide range of exceptional advantages. This applies not only to the D7, but to all marine engines that bear the symbol of progressive engineering. BMW's complete range of marine engines for sailing boats and motor yachts offers all kinds of options and a wide choice of diesel and petrol units. You can also choose from a wide range of optional extras and accessories to meet your personal requirements. And to make sure that you enjoy sheer boating pleasure for a long time to come, BMW Marine's international dealer organization has trained marine technicians at your service as well as a reliable and quick supply of parts.





## Specifications D7

<b>Displacement and output (DIN 6270 B)</b>	Displacement 280 cc (17.1 cu in) Stroke 67 mm (2.64"), bore 73 mm (2.87") Max continuous output 4.5 kW (6 bhp) at 3600 rpm Compression ratio 22:1
<b>Design and installation</b>	Water-cooled single-cylinder four-stroke engine in up-right position, direct injection; forged-steel crankshaft Operation at a permanent angle of heel of up to 20° Flexible engine mounts
<b>Weight</b>	Dry weight of the complete engine unit 68 kg (150 lb)
<b>Valves</b>	Valve drive: via rocker arms and tappet rods
<b>Lubrication</b>	Centrifugal forced-feed lubrication (splash lubrication)
<b>Fuel supply system</b>	Bosch fuel injection pump Direct injection into spherical combustion chamber Air filter with air intake silencer Fuel supply by mechanical fuel pump with additional manual control
<b>Engine cooling</b>	Single-circuit cooling with directly connected water pump
<b>Electrical system</b>	350 W, 14 V, 25 A alternator 0.8 kW starter
<b>Power transmission</b>	Torsion damper between engine and gearbox
<b>Reversing-type gearbox</b>	Reversing-type gearbox with neutral position, forward and reverse Direction of rotation: clockwise in forward gear, on connection flange of reversing-type gearbox Standard ratio: forwards 2.7:1; reverse 1.9:1 alternative: 2.8:1; 2.3:1
<b>Standard fittings</b>	Manual starter with starting handle and automatic decompression, zinc anodes Automatic bleeding of fuel system fuel filter with water separator Engine with complete wiring loom and multi-pin plug, instrument panel with starter switch, battery charge indicator, coolant temperature indicator and two blank holes for additional instruments
<b>Optional fittings</b>	Single-lever control with cable, complete stern gear and exhaust system, various additional instruments D5 approved in the Federal Republic of Germany with no licence required Max output according to DIN 6270 B 3.57 kW (4.85 bhp) at 3070 rpm Subject to change in design and technical features

Your BMW Marine Dealer:

